



FUSION AGM BATTERY

General Purpose Batteries

CB Series

CB12V2.3AH

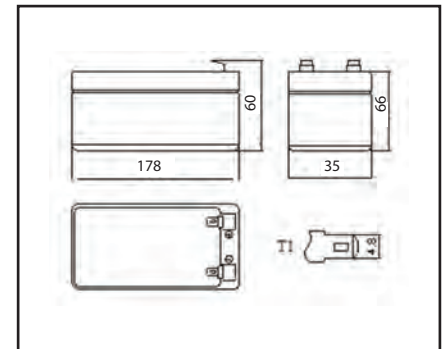
RECHARGEABLE VALVE REGULATED LEAD-ACID (SEALED) BATTERY

Specification

Nominal Voltage	12V
Nominal Capacity(20HR)	2.3AH
Dimensions	Length 178±3mm (7.00 inches)
	Width 35±2mm (1.37 inches)
	Container Height 60±3mm (2.36 inches)
	Total Height (with Terminal) 66±3mm (2.59 inches)
Approx Weight	Approx 1kg
Terminal	T1
Container Material	ABS
Rated Capacity	1.20 AH/0.06A (20hr, 1.80V/cell,25°C/77°F)
	1.14 AH/0.114A (10hr, 1.80V/cell,25°C/77°F)
	0.96 AH/0.192A (5hr, 1.75V/cell,25°C/77°F)
	0.78 AH/0.78A (3hr, 1.75V/cell,25°C/77°F)
Internal Resistance	Full Charge Battery 25°C(77°F) Approx 110mΩ
Cyclic Life	50%(C ₂₀) Depth of discharge
Capacity affected by Temperature (20 hour)	40°C (104°F) 102%
	25°C (77°F) 100%
	0°C (32°F) 85%
Operating Temp.Range	Discharge : -15~50°C (5~122°F)
	Charge : 0~40°C (32~104°F)
	Storage : -15~40°C (5~104°F)
Nominal Operating Temp. Range	25±3°C (77±5°F)
Cycle Use	Initial Charging Current less than 45.0A.Voltage 7.30V~7.50V at 25°C(77°F)Temp. Coefficient -30mV/°C
Standby Use	No limit on Initial Charging Current Voltage 6.75V~6.90V at 25°C(77°F)Temp. Coefficient -20mV/°C
Self Discharge 25°C(77°F)	Fusion CB series batteries may be stored for up to 6 months at 25°C(77°F) and then a freshening charge is required. For higher temperatures the time interval will be shorter.



Product Dimensions



Battery Construction

Component	Positive plate	Negative plate	Container	Safety valve	Terminal	Separator	Electrolyte
Raw Material	Lead dioxide	Lead	ABS	Rubber	Copper	Fiberglass	Sulfuric acid

Discharge Characteristics

Voltage	Run Time (Constant Current and Power 25°C 77°F)											
	3 min	5 min	15 min	30 min	45 min	1h	2h	3h	5h	8h	10h	20h
4.8 V	51.84	45.84	26.52	16.08	11.22	8.988	4.836	3.516	2.388	1.572	1.308	0.713
5.10V	46.68	41.88	23.88	14.76	10.94	8.844	4.764	3.480	2.364	1.572	1.308	0.713
5.25V	38.88	36.72	22.56	13.92	10.81	8.712	4.704	3.432	2.364	1.548	1.296	0.698
5.40V	36.24	32.76	21.24	12.00	10.67	8.568	4.560	3.336	2.340	1.548	1.272	0.684

Specifications subject to change without notice.



TRADING SINCE 1995

www.superstart.com.au

